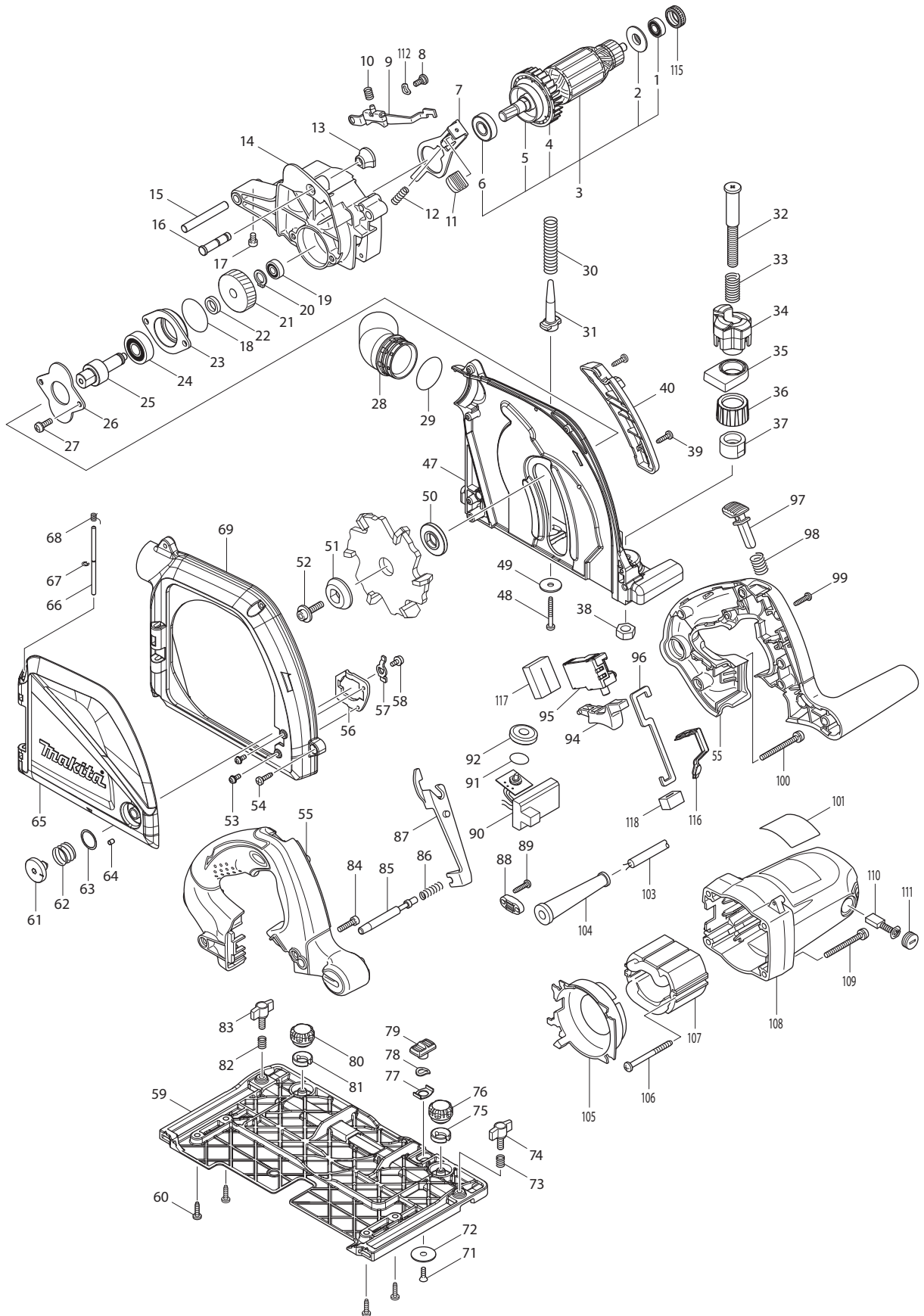




11 - 2015  
CA5000X  
ALUMINUM GROOVE CUTTER



Item No.	Type	Sub	Part No.	Description	Qty	Unit
001			210013-5	BALL BEARING 698VV	1	PC.
002			681634-4	INSULATION WASHER	1	PC.
003			513676-9	ARMATURE ASS'Y 115V	1	PC.
		INC.		Item No. 1,2,4-6		
004			240091-1	ARMATURE FAN 60	1	PC.
005			345767-6	DRUM	1	PC.
006			211131-2	BALL BEARING 6001DDW	1	PC.
007			345742-2	SHAFT LOCK	1	PC.
008			265011-4	+ BINDING HEAD SCREW M5	1	PC.
009			158096-6	SHOE COMPLETE	1	PC.
010			233480-7	COMPRESSION SPRING 7	1	PC.
011	2		286039-9	CAP	1	PC.
012			233084-5	COMPRESSION SPRING 6	1	PC.
013	2		286040-4	CAP	1	PC.
014	2		144586-5	GEAR HOUSING COMPLETE	1	PC.
		INC.				
			263002-9	RUBBER PIN 4	1	PC.
015	3		324716-6	PIN 8	1	PC.
016			324708-5	STOPPER PIN 8	1	PC.
017	2		265907-9	HEX. SOCKET HEAD BOLT M5X10	1	PC.
018			213512-6	O RING 39	1	PC.
019			211021-9	BALL BEARING 607LLB	1	PC.
020			961052-5	RETAINING RING S-12	1	PC.
021			226637-7	HELICAL GEAR 39	1	PC.
022			257010-0	RING 12	1	PC.
023			318088-9	BEARING BOX	1	PC.
024			211129-9	BALL BEARING 6201DDW	1	PC.
025			326555-0	SPINDLE	1	PC.
026			285024-9	BEARING RETAINER 55	1	PC.
027			911221-8	PAN HEAD SCREW M5X16	2	PC.
028			419620-3	DUST NOZZLE	1	PC.
029			213460-9	O RING 35	1	PC.
030			233479-2	COMPRESSION SPRING 11	1	PC.
031			419624-5	SPRING HOLDER	1	PC.
032			266964-0	+ FLAT HEAD SCREW M10	1	PC.
033			234382-0	COMPRESSION SPRING 13	1	PC.
034			319316-5	STOPPER	1	PC.
035			456060-4	SPACER	1	PC.
036			456059-9	GRIP	1	PC.
037			264115-9	CIRCULAR NUT M10-24	1	PC.
038	2		252234-3	HEX. NUT M10	1	PC.
039			266034-5	TAPPING SCREW CT 4X16	2	PC.
040			456110-5	DEPTH GUIDE	1	PC.
047			319317-3	BLADE CASE	1	PC.
048			266053-1	TAPPING SCREW 4X35	1	PC.
049			253010-8	FLAT WASHER 6	1	PC.
050	1		224406-0	INNER FLANGE 35	1	PC.
	2		224593-5	INNER FLANGE 35	1	PC.
051			224479-3	OUTER FLANGE 35	1	PC.
052			251475-8	HEX. SOCKET HEAD BOLT M6X25	1	PC.
053			911113-1	PAN HEAD SCREW M4X10	2	PC.
054			266034-5	TAPPING SCREW CT 4X16	5	PC.
055	2		183D92-9	HANDLE SET	1	SET
		INC.				
			809M01-1	CAUTION LABEL	1	PC.
056			346946-9	LOCK PLATE B	1	PC.
057			346945-1	LOCK PLATE A	1	PC.
058			911114-9	PAN HEAD SCREW M4X10	1	PC.
059			319314-9	BASE	1	PC.
060			266034-5	TAPPING SCREW CT 4X16	4	PC.

Item No.	Type	Sub	Part No.	Description	Qty	Unit
061			319315-7	LOCK PIN	1	PC.
062			234283-2	COMPRESSION SPRING 18.5	1	PC.
063			253343-1	THIN WASHER 18	1	PC.
064			263032-0	RUBBER PIN 4	1	PC.
065			456062-0	BLADE CASE TOP COVER	1	PC.
066			256875-7	ROD 4	1	PC.
067			961017-7	STOP RING E-3	1	PC.
068			233627-3	TORSION SPRING 4	1	PC.
069			456061-2	BLADE CASE COVER	1	PC.
071			912112-6	COUNTERSUNK HEAD SCREW M4X10	1	PC.
072			345748-0	LOCK WASHER	1	PC.
073			231316-4	COMPRESSION SPRING 7	1	PC.
074			265726-3	WIND BOLT M6X15	1	PC.
075			419627-9	HOLDER	1	PC.
076			265775-0	THUMB SCREW M4X3	1	PC.
077			345977-5	PLATE	1	PC.
078			253932-2	WAVE WASHER 10	1	PC.
079	2		458092-7	SLIDE LEVER	1	PC.
080			265775-0	THUMB SCREW M4X3	1	PC.
081			419627-9	HOLDER	1	PC.
082			231316-4	COMPRESSION SPRING 7	1	PC.
083			265726-3	WIND BOLT M6X15	1	PC.
084			922232-8	HEX. SOCKET HEAD BOLT M5X20	1	PC.
085			326557-6	LOCK PIN 8	1	PC.
086			233267-7	COMPRESSION SPRING 7	1	PC.
087			419631-8	LOCK PLATE	1	PC.
088			687063-9	CORD CLAMP (STRAIN RELIEF)	1	PC.
089			265995-6	TAPPING SCREW 4X18	2	PC.
090			631728-5	CONTROLLER	1	PC.
091			213261-5	O RING 17	1	PC.
092			418905-4	DIAL	1	PC.
094			419622-9	SWITCH LEVER	1	PC.
095			650716-3	SWITCH TGC31B	1	PC.
096			345745-6	LINK PLATE	1	PC.
097			419629-5	LOCK OFF BUTTON	1	PC.
098			233089-5	COMPRESSION SPRING 12	1	PC.
099			265995-6	TAPPING SCREW 4X18	6	PC.
100			911273-9	PAN HEAD SCREW M5X50	1	PC.
101			851F08-1	NAME PLATE F/CA5000	1	PC.
103			664265-4	CORD W/PLUG 2P-16-2.5M, SJ	1	PC.
104			682505-8	CORD GUARD 10-90	1	PC.
105			419626-1	BAFFLE PLATE	1	PC.
106			266044-2	TAPPING SCREW 5X60	2	PC.
107			525741-2	FIELD ASS'Y 115V	1	PC.
		INC.	654020-2	RING TERMINAL	2	PC.
		INC.	654501-6	CONNECTOR P-1.25	2	PC.
108			143397-5	MOTOR HOUSING COMPLETE	1	PC.
		INC.	643708-9	BRUSH HOLDER 5-11	2	PC.
		INC.	807E21-1	CAUTION LABEL	1	PC.
		INC.	807F46-1	CAUTION LABEL	1	PC.
109			911273-9	PAN HEAD SCREW M5X50	4	PC.
110			194996-6	CARBON BRUSH CB-303 2PC/SET W/ORIGIN	1	SET
111			643750-0	BRUSH HOLDER CAP 7-11	2	PC.
112			267781-1	WAVE WASHER 7	1	PC.
115			421479-6	RUBBER RING 19	1	PC.
116			424047-4	PACKING	1	PC.
117			424050-5	SPONGE	1	PC.
118			443137-4	FELT	1	PC.
120			922331-6	HSH BOLT M6X20 F/SKIRT COMPLETE (Item No. A01)	2	PC.
C01			878224-4	CARTON F/CA5000X	1	PC.

Item No.	Type	Sub	Part No.	Description	Qty	Unit
D01			654509-0	CONNECTOR 2-SD	1	PC.
<b>ACCESSORIES</b>				<b>- Visit <a href="http://www.makita.ca">www.makita.ca</a> for more accessories information -</b>		
A01	2		143939-5	SKIRT COMPLETE	1	PC.
		INC.	266020-6	TAPPING SCREW 4X12	1	PC.
A02			143396-7	PLATE COMPLETE F/GUIDE RAIL	1	PC.
		INC.	263002-9	RUBBER PIN 4	2	PC.
A03			783022-2	HEX. WRENCH 5	1	PC.
A05	2		A-99926	4-5/8" GROOVING CT BLADE 6T 20MM 90 DEGREE(TIP TOP=2mm)	1	PC.
	Opt.		A-96132	4-5/8" GROOVING CT BLADE 6T 20MM 90 DEGREE(TIP TOP=3mm)	1	PC.
A06			A-96148	4-5/8" GROOVING CT BLADE 6T 20MM 135 DEGREE	1	PC.
A07	2		A-99932	6-1/2" CT BLADE 48T 20MM WOOD	1	PC.
A08			194368-5	GUIDE RAIL 1400MM	1	PC.
			194367-7	GUIDE RAIL 3000MM	1	PC.
			194925-9	GUIDE RAIL 1900MM	1	PC.
A09			196664-7	BEVEL GUIDE SET	1	PC.
A10			194385-5	CLAMP 2PC/SET	1	SET
A11			165447-6	GUIDE RULE (RIP FENCE)	1	PC.
A12			194417-8	RUBBER SHEET 10000MM F/GUIDE RAILE	1	PC.
A13			194418-6	RUBBER POSITION SHEET 1400MM	1	PC.
			194419-4	RUBBER POSITION SHEET 3000MM	1	PC.
A14			199826-6	RATCHET CLAMP SET	1	PC.